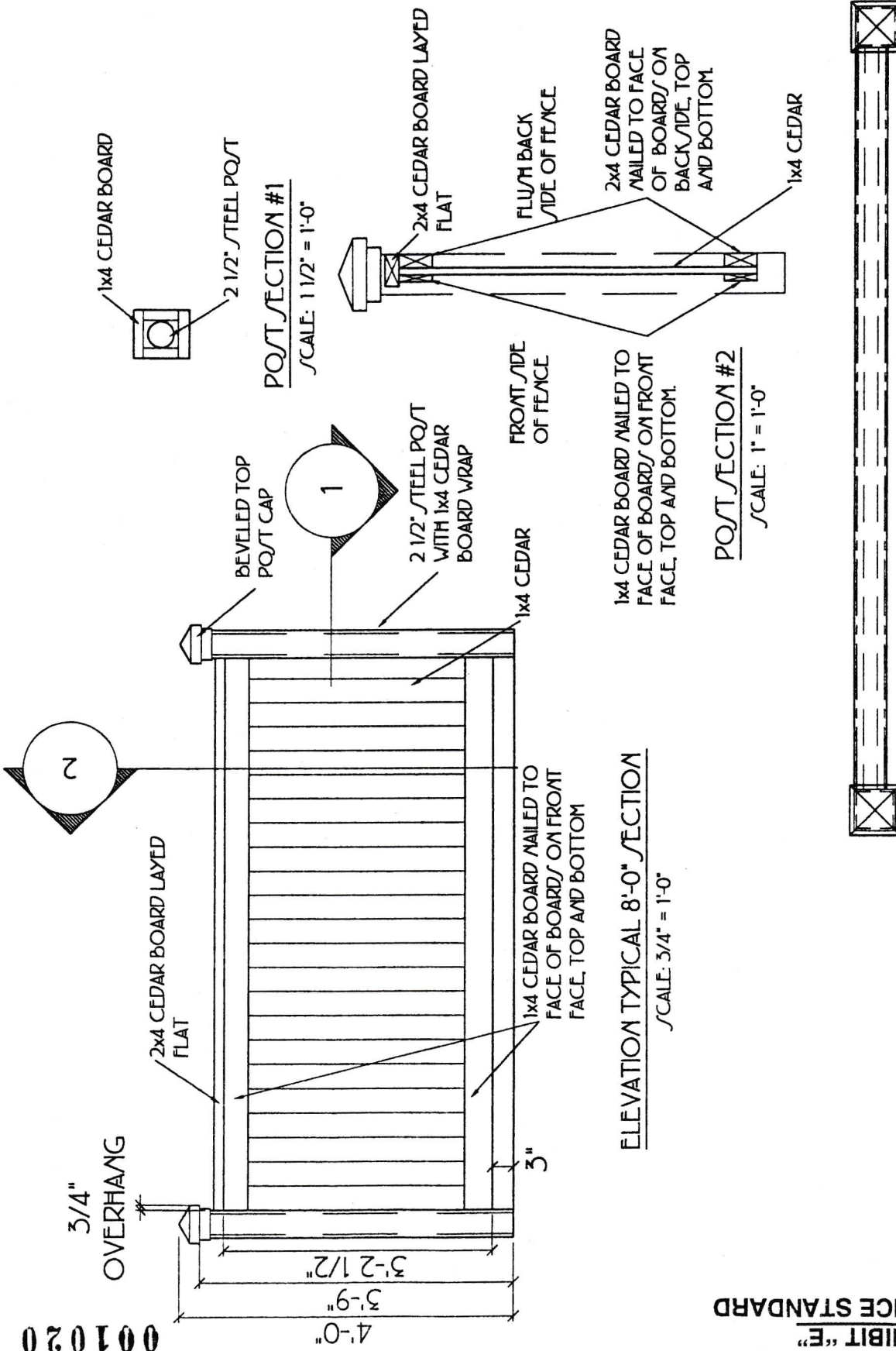


001020

**FENCE STANDARD
EXHIBIT "E"**



PLAN DETAIL 8'-0" SECTION
SCALE: 1" = 1'-0"

ELEVATION TYPICAL 8'-0" SECTION
SCALE: 3/4" = 1'-0"

POST SECTION #2
SCALE: 1" = 1'-0"

POST SECTION #1
SCALE: 1 1/2" = 1'-0"

4'0 APPROVED NEIGHBORHOOD FENCE

<p>Model: _____ Base Plan _____ Plan: 10-15-99 Revised: 6-21-02</p>		<p>Customer: _____ Drawn By: _____ Date: _____ DSH Approval: _____ /2002</p>	
<p>Lot/Subdivision: _____ Address: _____</p>		<p>Custom Designed For: <u>K/DRAWINGS/DETAILS/T/FENCE/VALDGFENCE.DWG</u></p>	
<p>Don SIMON HOMES We Make Building Easy 2800 Royal Avenue Ste 210 - Madison, WI 53713 (608)223-2626 Fax: (608)223-0623</p>			
<p>Copyright 2002 Don Simon Homes Inc. Protected Under Architectural Works Copyright Protection Act of 1990.</p>			

Do Not Scale

Note: All dimensions are stud to stud

Revised: _____
 We will not be held responsible for errors if work is built according to the customer's approved plan.
 Note: Please review carefully. What is shown in this plan represents what will be constructed.